

1) Top cover



Basic features

| | |
|-------------------------------|-------------------------------|
| Approval/Conformity | CE WEEE cULus UKCA |
| Basic standard | IEC 60947-5-2 |
| Principle of operation | Signal amplifier |
| Series | SA-OH |
| Style | Square Straight connection |

Display/Operation

| | |
|------------------------|---|
| Adjuster | Slide switch 3 positions Slide switch 2 positions (2x) 3-turn potentiometer |
| Display | LED green: Power Error - LED red Output function- LED yellow |
| Power indicator | Green LED |
| Setting | Sensitivity (Sn) Light-on/dark-on On-/off delay Resolution normal/high |

Electrical connection

| | |
|--|------------------------------|
| Connection | Connector, M8x1-Male, 4-pin |
| Connection 2 | Sensor BOH: M8x1-Male, 3-pin |
| Contact, surface protection | Gold plated |
| Electrical version | 3-/4-wire |
| Polarity reversal protected | yes |
| Protection against device mix-ups | yes |
| Short-circuit protection | yes |

Photoelectric Sensors
BAE SA-OH-064-PP-S75G
Order Code: BAE0127

BALLUFF

Electrical data

| | |
|--|-------------|
| Load capacitance max. at Ue | 100 nF |
| No-load current I _o max. at Ue | 45 mA |
| Operating voltage U _b | 15...30 VDC |
| Rated insulation voltage U _i | 75 V DC |
| Rated operating current I _e | 80 mA |
| Rated operating voltage U _e DC | 24 V |
| Switching frequency | 500 Hz |
| Turn-off delay t _{off} max. | 1 ms |
| Turn-on delay t _{on} max. | 1 ms |
| Utilization category | DC -13 |
| Voltage drop U _d max. at I _e | 2 V |

Environmental conditions

| | |
|-------------------------|--|
| Ambient temperature | -5...55 °C |
| Contamination scale | 3 |
| EN 60068-2-27, Shock | Half-sinus, 30 g _n , 11 ms, 3x6 |
| EN 60068-2-6, Vibration | 10...55 Hz, 1 mm, 5 min |
| IP rating | IP40 |

Functional safety

| | |
|--------------|---------|
| MTTF (40 °C) | 470.4 a |
|--------------|---------|

Remarks

For additional information, refer to user's guide.

For more information about MTTF and B10d see MTTF / B10d Certificate

Indication of the MTTF- / B10d value does not represent a binding composition and/or life expectancy assurance; these are simply experiential values with no warranty implications. These declared values also do not extend the expiration period for defect claims or affect it in any way.

Interface

| | |
|---------------------------|---|
| Duration of time function | T = 50 ms |
| Switching output | PNP normally open/normally closed (NO/NC) |
| Time function | On/off delay |

Material

| | |
|------------------|-------------|
| Housing material | PC PA 12 |
|------------------|-------------|

Mechanical data

| | |
|---------------|--|
| Dimension | 13.5 x 32.9 x 75.5 mm |
| Mounting part | DIN EN-50022 rail 35 mm DIN EN-50045 rail 15 mm |

Optical features

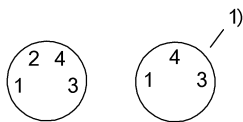
| | |
|--------------------------------|------------------------|
| Principle of optical operation | depends on sensor head |
| Switching function, optical | dark-on/light-on |

Range/Distance

| | |
|-------|------------------------|
| Range | depends on sensor head |
|-------|------------------------|

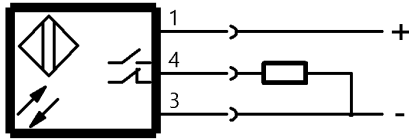
Connector Drawings

52094

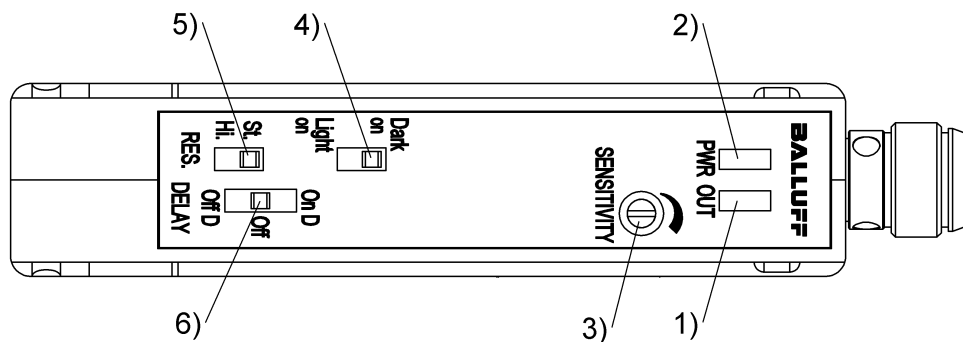


1) Sensor connection

Wiring Diagrams



Help Views



- 1) Status-LED OUT
- 2) Status-LED PWR
- 3) Sensitivity
- 4) Light-on/dark-on
- 5) Resolution
- 6) Turn-on/off delay